



Electric strikes

SYMMETRIC

Series 3

Symmetrical electric strikes are the most common on the market. They are **100% reversible** and feature an adjustable keeper.

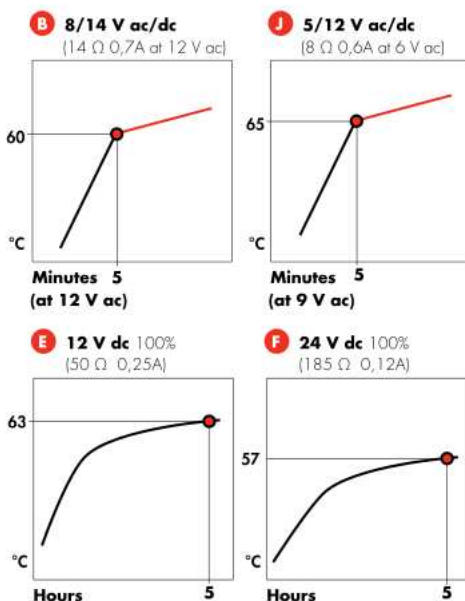
DC models are equipped with electronic protection in order to prevent damages to your access control system. This also represents an advantage for the installer as the connection is not polarized.

Featuring a wide variety of functions and voltages, these strikes quickly unlock standard doors through low power consumption.

Technical Features


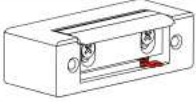
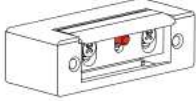

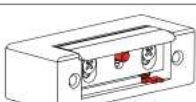
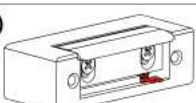
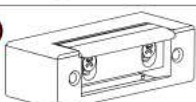
- Max. side-load on AC: 160 N
Max. side-load on DC: 10 N
- Break-in resistance: 3.000 N
- Operating temperature range: -15 °C /+40 °C
- Housing: Zamak
Keeper: Zamak
- Guaranteed 3 years
- Complies with 2004/108/CE (EN 55014)
- Corrosion resistant according to UNI ISO 9227

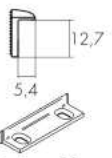
Coil features



Personalized coils upon request

References and features

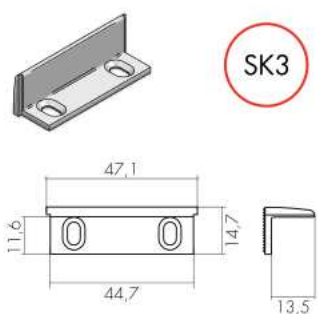
		Reversible	Adjustable keeper	Side-load	Electronic protection	Voltage	References <i>add faceplate</i>
	Fail-secure	●	●	●		8-14 V ac/dc	30.1.00.B
		●	●	●		5-12 V ac/dc	30.1.00.J
		●	●		●	12 V dc	30.1.00.E
		●	●		●	24 V dc	30.1.00.F
	Fail-Secure with mechanical unlocking	●	●	●		8-14 V ac/dc	31.1.00.B
		●	●	●		5-12 V ac/dc	31.1.00.J
		●	●		●	12 V dc	31.1.00.E
	Hold-open	●	●	●		8-14 V ac/dc	32.1.00.B
		●	●	●		5-12 V ac/dc	32.1.00.J
		●	●		●	12 V dc	32.1.00.E
	Internal Hold-open	●	●	●		9-14 V ac/dc	32A.1.00.B
		●	●	●		6-12 V ac/dc	32A.1.00.J
	Hold-open with mechanical unlocking	●	●	●		8-14 V ac/dc	33.1.00.B
		●	●	●		5-12 V ac/dc	33.1.00.J
		●	●		●	12 V dc	33.1.00.E
	Internal Hold-open with mechanical unlocking	●	●	●		9-14 V ac/dc	33A.1.00.B
		●	●	●		6-12 V ac/dc	33A.1.00.J
	Fail-safe	●	●		●	12 V dc	34.1.00.E
		●	●		●	24 V dc	34.1.00.F



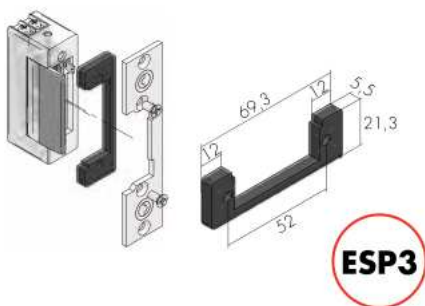
Recommended Faceplates

SHORT	LONG	ANGLED
01 Grey	04 Grey Brown	08 Brown
02 Grey	05 Grey Brown	09 Brown
61 Inox	20 Inox	12 Brown
62 Inox	21 Inox	13 Brown
66 Inox	64 Inox	16 Brown
92 Inox	65 Inox	17 Brown
	71 Inox	
BOX	73 Inox	
81 Grey	74 Inox	
	C64 Inox	
84 Grey	C65 Inox	
Chrome	D4 Grey Brown	
Brass		

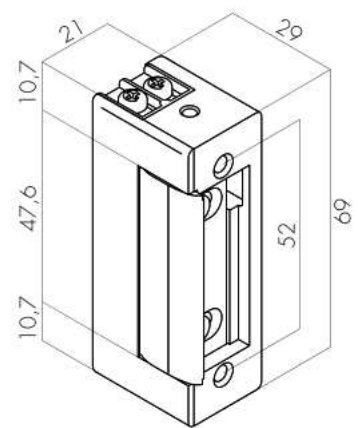
Deep adjustable keeper
Supplied upon request



Shim kit installation



Dimensions



Keeper's adjustability: 3 mm

